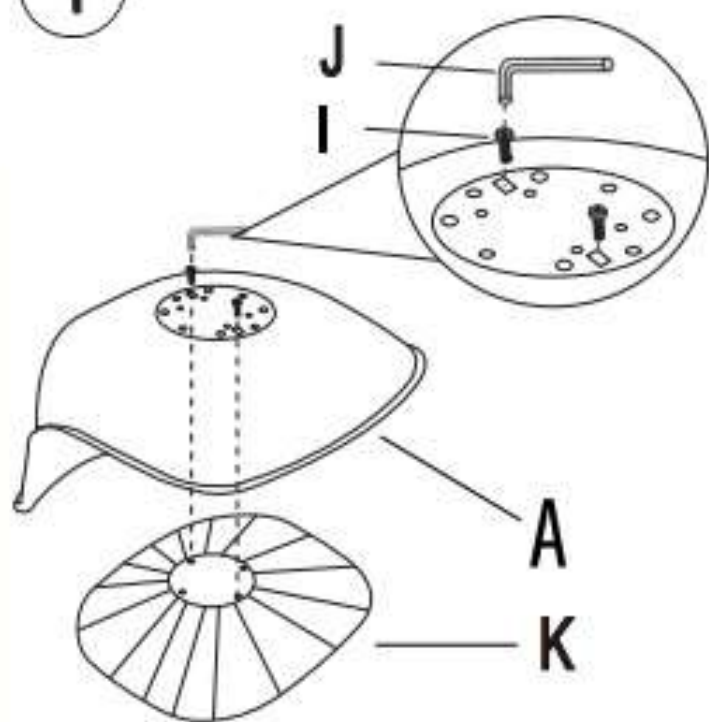
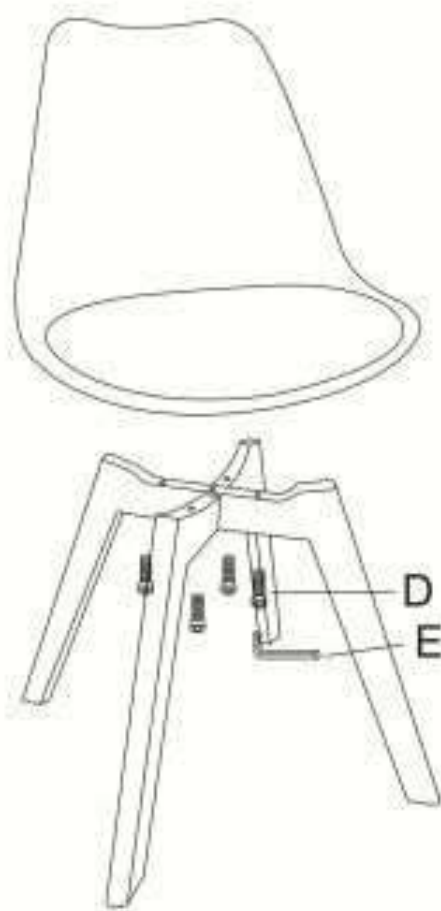
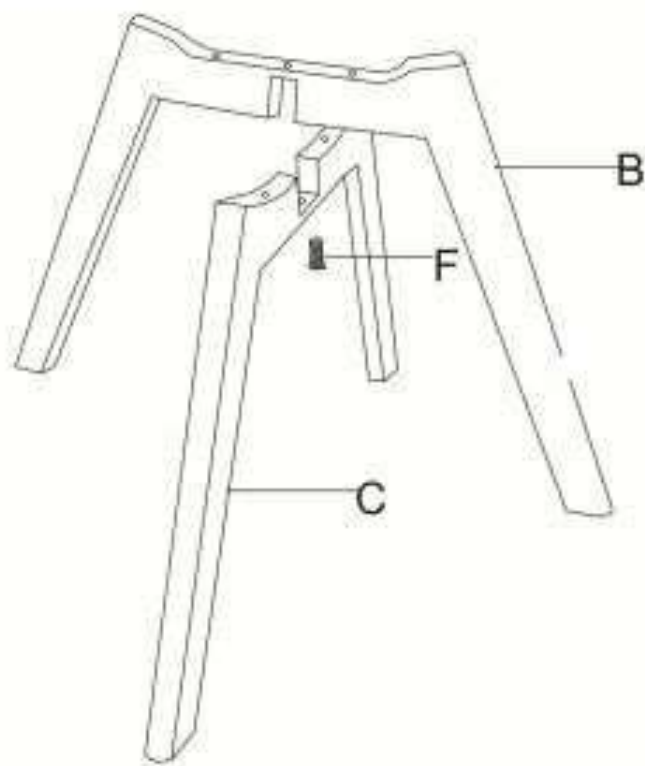


Assembly Instruction

①



②



Ax1



Bx1



Cx1



Dx4



Ex1



Fx1



I X2



J X1



K X1

